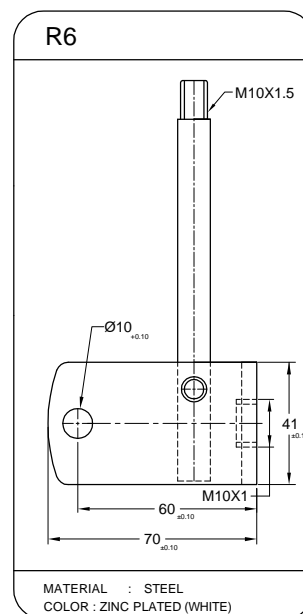
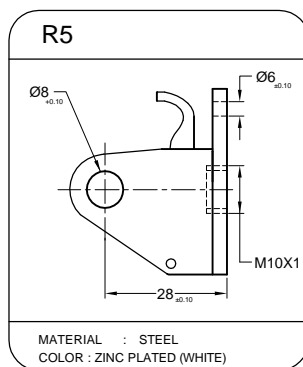
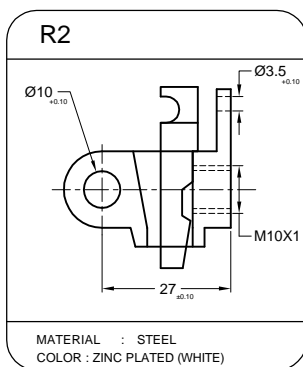
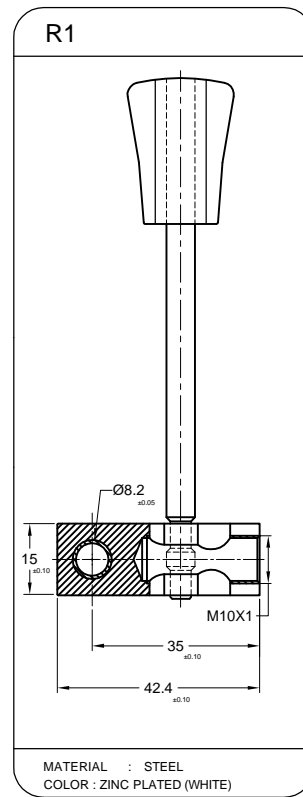
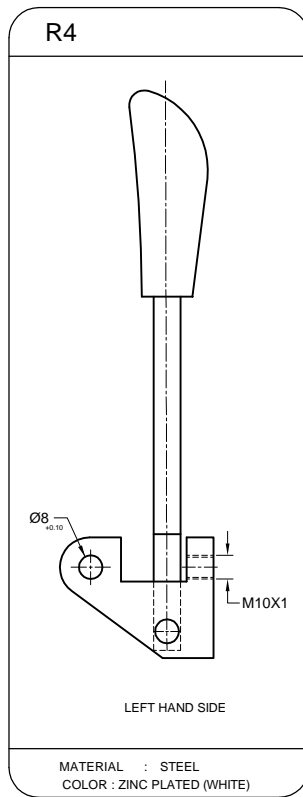
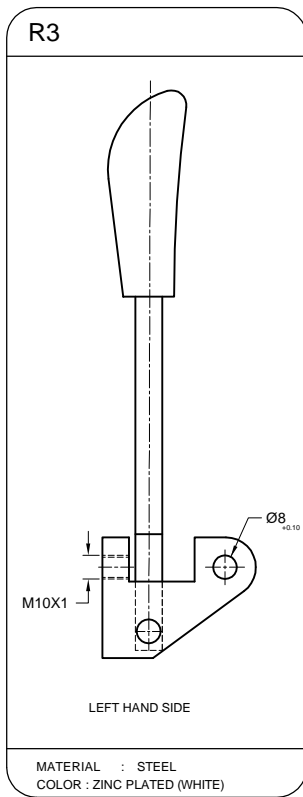


# RELEASE MECHANISMS



Standard dimensions in mm



Release Mechanisms 13.02.2015 © 2015, Super Systems

We reserve the right to make modifications

**Also Available in Stainless Steel AISI 316 Grade**

If you have any questions about specifying your requirement please e-mail us at [sales@gasprings.com](mailto:sales@gasprings.com)  
or Call us at 0091 11 27791117,27791118 Log on to our website [www.gasprings.com](http://www.gasprings.com)