

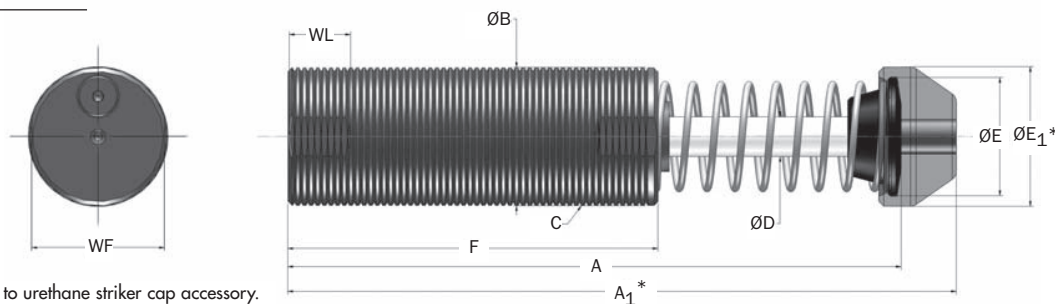
Non-Adjustable Series Hydraulic Shock Absorbers

PMXT Mid-Bore Series

Technical Data

PMXT 1525 → PMXT 2150 Series

Standard



*Note: A₁ and E₁ apply to urethane striker cap accessory.

Catalog No./ Model	(S) Stroke in. (mm)	(E _T) Max. in.-lbs./cycle (Nm/cycle)	(E _T C) Max. in.-lbs./hour (Nm/h)	(F _P) Max. Reaction Force lbs. (N)	Nominal Coil Spring Force		(F _D) Max. Propelling Force lbs. (N)	Weight (mass) lbs. (Kg)
					Extended lbs. (N)	Compressed lbs. (N)		
PMXT 1525	1.00 (25,0)	3,250 (367,0)	1,120,000 (126 000)	6,500 (29 000)	11.0 (48,0)	15.0 (68,0)	1,500 (6 700)	2.2 (1,0)
PMXT 1550	2.00 (50,0)	6,500 (735,0)	1,475,000 (167 000)	6,500 (29 000)	11.0 (29,0)	18.0 (78,0)	1,500 (6 700)	2.4 (1,1)
PMXT 1575	3.00 (75,0)	10,000 (1 130,0)	1,775,000 (201 000)	6,500 (29 000)	7.0 (31,0)	18.0 (78,0)	1,500 (6 700)	2.7 (1,3)
PMXT 2050	2.00 (50,0)	16,500 (1 865,0)	2,400,000 (271 000)	13,750 (60 500)	17.0 (80,0)	35.0 (155,0)	4,000 (17 800)	6.0 (2,7)
PMXT 2100	4.00 (100,0)	33,000 (3 729,0)	3,200,000 (362 000)	13,750 (60 500)	16.0 (69,0)	36.0 (160,0)	4,000 (17 800)	7.3 (3,3)
PMXT 2150	6.00 (150,0)	50,000 (5 650,0)	3,730,000 (421 000)	13,750 (60 500)	20.0 (87,0)	64.0 (285,0)	4,000 (17 800)	9.3 (4,2)

Catalog No./ Model	Damping Constant	A in. (mm)	A ₁ in. (mm)	C in. (mm)	D in. (mm)	E in. (mm)	E ₁ in. (mm)	F in. (mm)	WF in. (mm)	WL in. (mm)
PMXT 1525 IF	-1,-2,-3	5.68	6.37	(IF) 1 3/4-12 UN	.50	1.48	1.75	3.63	1.70	0.75
PMXT 1525 MF	-1,-2,-3	(144,0)	(162,0)	(MF) M45 x 1,5	(12,7)	(38,0)	(44,5)	(92,0)	(43,5)	(19,0)
PMXT 1550 IF	-1,-2,-3	7.68	8.37	(IF) 1 3/4-12 UN	.50	1.48	1.75	4.63	1.70	0.75
PMXT 1550 MF	-1,-2,-3	(195,0)	(213,0)	(MF) M45 x 1,5	(12,7)	(38,0)	(44,5)	(118,0)	(43,5)	(19,0)
PMXT 1575 IF	-1,-2,-3	9.68	10.37	(IF) 1 3/4-12 UN	.50	1.48	1.75	5.63	1.70	0.75
PMXT 1575 MF	-1,-2,-3	(246,0)	(264,0)	(MF) M45 x 1,5	(12,7)	(38,0)	(44,5)	(143,0)	(43,5)	(19,0)
PMXT 2050 IF	-1,-2,-3	8.90	9.55	(IF) 2 1/2-12 UN	.75	1.98	2.25	5.50	2.42	0.75
PMXT 2050 MF	-1,-2,-3	(226,0)	(243,0)	(MF) M64 x 2,0	(19,0)	(50,0)	(57,0)	(140,0)	(61,5)	(19,0)
PMXT 2100 IF	-1,-2,-3	12.90	13.55	(IF) 2 1/2-12 UN	.75	1.98	2.25	7.50	2.42	0.75
PMXT 2100 MF	-1,-2,-3	(328,0)	(345,0)	(MF) M64 x 2,0	(19,0)	(50,0)	(57,0)	(191,0)	(61,5)	(19,0)
PMXT 2150 IF	-1,-2,-3	17.97	18.62	(IF) 2 1/2-12 UN	.75	2.38	2.38	9.50	2.42	0.75
PMXT 2150 MF	-1,-2,-3	(956,0)	(473,0)	(MF) M64 x 2,0	(19,0)	(60,0)	(60,0)	(241,0)	(61,5)	(19,0)

Notes: 1. Dash numbers in page color are non-standard lead time items, contact Enidine.
 2. See page 59 for constant damping curves.
 3. Urethane striker caps are available as accessories for models PM 1525 to PM 2150.

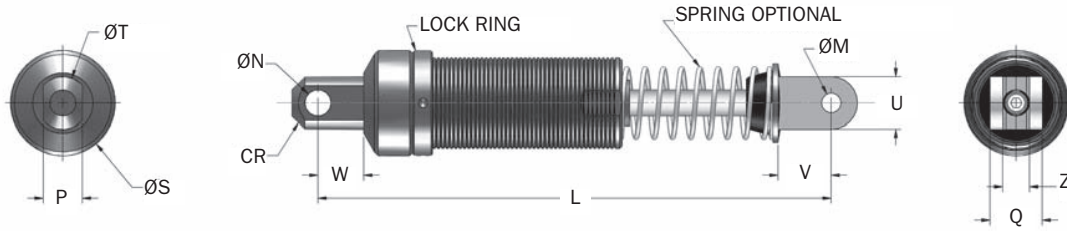
Non-Adjustable Series Hydraulic Shock Absorbers

PMXT Mid-Bore Series

Accessories

PMXT 1525 CM → PMXT 2150 CM Series

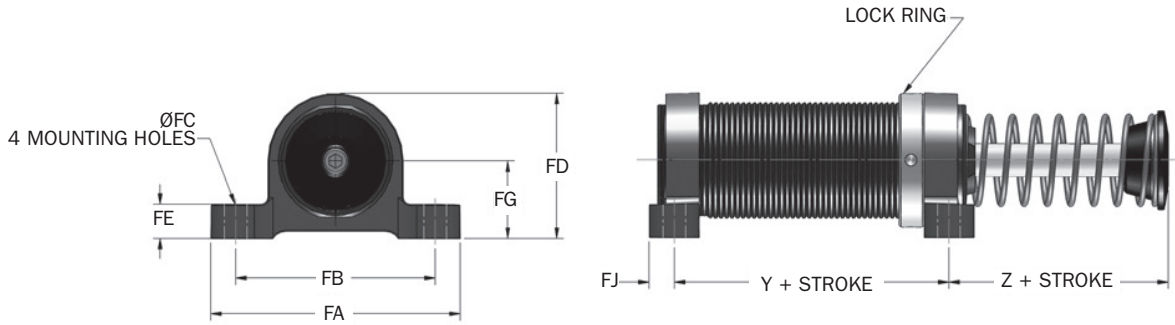
Clevis Mount



Catalog No./ Model	L in. (mm)	M in. (+0.005/-0.000) (+0.13/-0.00)	N in. (+0.005/-0.000) (+0.13/-0.00)	P in. (+0.000/-0.010) (+0.00/-0.25)	Q in. (+0.000/-0.010) (+0.00/-0.25)	S in. (mm)	T in. (mm)	U in. (mm)	V in. (mm)	W in. (mm)	Z in. (+0.020/-0.000) (+0.51/-0.00)	CR in. (mm)	Weight (mass) lbs. (Kg)
Δ PMXT 1525 CM (S)	7.84 (199)	.376 (9,60)	.501 (12,70)	.750 (19,00)	1.00 (25,4)	2.00 (51)	1.00 (25)	1.00 (25)	1.01 (26)	.87 (22)	.505 (12,9)	.56 (14,3)	3.0 (1,36)
Δ PMXT 1550 CM (S)	9.84 (250)	.376 (9,60)	.501 (12,70)	.750 (19,00)	1.00 (25,4)	2.00 (51)	1.00 (25)	1.00 (25)	1.01 (26)	.87 (22)	.505 (12,9)	.56 (14,3)	3.2 (1,45)
Δ PMXT 1575 CM (S)	11.84 (300)	.376 (9,60)	.501 (12,70)	.750 (19,00)	1.00 (25,4)	2.00 (51)	1.00 (25)	1.00 (25)	1.01 (26)	.87 (22)	.505 (12,9)	.56 (14,3)	3.6 (1,63)
Δ PMXT 2050 CM (S)	12.06 (306)	.751 (19,07)	.751 (19,07)	1.250 (31,70)	1.50 (38,0)	2.88 (73)	1.50 (38)	1.50 (38)	1.40 (35)	1.06 (26)	.630 (16,0)	.90 (23,0)	8.2 (3,72)
Δ PMXT 2100 CM (S)	16.06 (408)	.751 (19,07)	.751 (19,07)	1.250 (31,70)	1.50 (38,0)	2.88 (73)	1.50 (38)	1.50 (38)	1.40 (35)	1.06 (26)	.630 (16,0)	.90 (23,0)	9.3 (4,22)
Δ PMXT 2150 CM (S)	21.13 (537)	.751 (19,07)	.751 (19,07)	1.250 (31,70)	1.50 (38,0)	2.88 (73)	1.50 (38)	1.50 (38)	1.40 (35)	1.06 (26)	.630 (16,0)	.90 (23,0)	11.2 (5,08)

Notes: 1. Δ = Non-standard lead time items, contact Enidine.
2. (S) indicates model comes with spring.

Flange Foot Mount

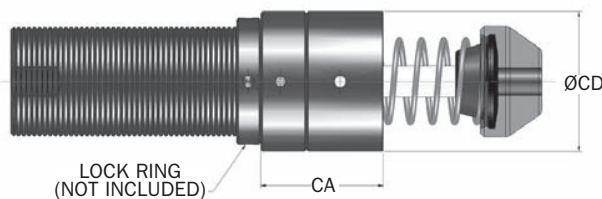


Catalog No./ Model	Part Number	Model (Ref)	Y in. (mm)	Z in. (mm)	FA in. (mm)	FB in. (mm)	FC in. (mm)	FD in. (mm)	FE in. (mm)	FG in. (mm)	FJ in. (mm)	Bolt Size in. (mm)	Kit Weight oz. (g)	Notes
FM 1 3/4 - 12	2FE2740	PMXT 1500 Series	2.38 (60,5)	1.06 (26,9)	3.75 (95,3)	3.00 (76,2)	.34 (8,60)	2.16 (55,0)	.50 (12,7)	1.16 (29,5)	.38 (9,7)	5/16	12.0 oz. (370)	3
FM M45 x 1,5	2F8637	PMXT 1500M Series										M8		3
FM 2 1/2 - 12	2FE3010	PMXT 2000 Series	3.00 (76,2)	1.56 (39,6)	5.63 (143,0)	4.88 (124,0)	.41 (10,40)	3.38 (85,6)	.63 (16,0)	1.75 (44,5)	.44 (11,2)	3/8	2.3 lbs. (1 050)	1,3
FM M64 x 2	2F3010	PMXT 2000M Series										M10		1,3

Notes: 1. PM 2150 Z dimension is 2.69 in.
2. Shock absorber must be ordered separately from foot mount kit.
3. All foot mount kits include two foot mounts and lock ring.

PMXT 1525 → PMXT 2150 Series

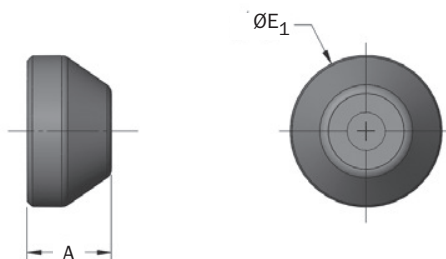
Stop Collar (SC)



Catalog No./ Model	Part Number	Model (Ref)	CA in. (mm)	CD in. (mm)	Weight (mass) oz. (g)
SC 1 3/4 - 12	8KE2940	PMXT 1500 Series	1.94	2.22	12.0
SC M45 x 1,5	8K8637	PMXT 1500M Series	(49,0)	(56,5)	(340)
SC 2 1/2 - 12 x 2	8KE3010	PMXT 2050 / 2100 Series	2.47	3.00	23.0
SC M64 x 2 x 2	M93010057	PMXT 2050M Series	(89,0)	(76,0)	(936)
SC 2 1/2 - 12 x 6	8KE3012	PMXT 2150 Series	3.66	3.00	35.0
SC M64 x 2 x 4	M93011057	PMXT 2100M Series	(114,0)	(76,0)	(1 191)
SC M64 x 2 x 6	M93012057	PMXT 2150M Series	(143,0)	(76,0)	(1 475)

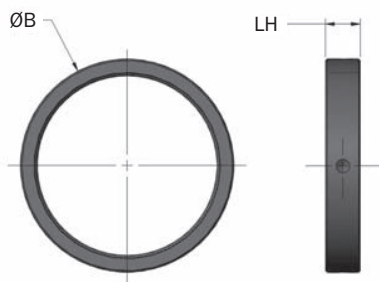
Note: 1. Part numbers in page color are non-standard lead time items, contact Enidine.

Urethane Striker Cap (USC)



Catalog No./ Model	Part Number	Model (Ref)	A in. (mm)	E ₁ in. (mm)	Weight (mass) oz. (g)
UC 2940	C92940079	PMXT 1500	.97 (24,5)	1.75 (44,5)	0.5 (14)
UC 3010	C93010079	PMXT 2000	.95 (24,0)	2.25 (57,0)	0.8 (23)

Lock Ring (LR)



Catalog No./Model	Part Number	Model (Ref)	B in. (mm)	LH in. (mm)	Weight (mass) oz. (g)
LR 1 3/4 - 12	F8E2940049	PMXT 1500 Series	2.00	.38	2.0
LR M45 x 1,5	F88637049	PMXT 1500M Series	(57,2)	(9,5)	(75)
LR 2 1/2 - 12	F8E3010049	PMXT 2000 Series	2.88	.38	3.0
LR M64 x 2	F83010049	PMXT 2000M Series	(72,9)	(12,7)	(85)

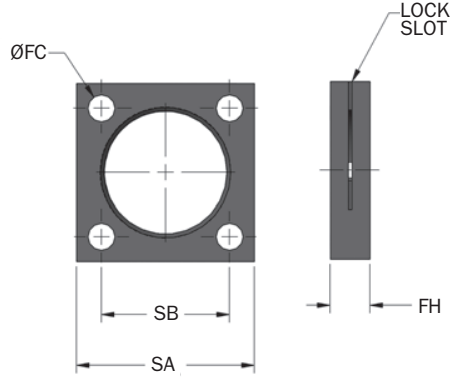
Non-Adjustable Series Hydraulic Shock Absorbers

PMXT Mid-Bore Series

PMXT 1525 CM → PMXT 2150 CM Series

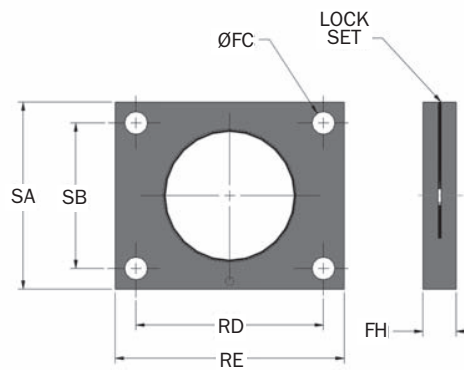
Accessories

Square Flange (SF)



Catalog No./ Model	Part Number	Model (Ref)	FC in. (mm)	FH in. (mm)	SA in. (mm)	SB in. (mm)	Bolt Size in. (mm)	Weight (mass) oz. (g)
SF 1 3/4 - 12	M4E2940056	PMXT 1500 Series	.34	.50	2.25	1.63	5/16	5
SF M45 x 1,5	M48637056	PMXT 1500M Series	(8,6)	(12,7)	(57,2)	(41,3)	(M8)	(140)
SF 2 1/2 - 12	M4E3010056	PMXT 2000 Series	.41	.62	3.50	2.75	3/8	20
SF M64 x 2	M43010056	PMXT 2000M Series	(10,4)	(15,7)	(85,1)	(69,9)	(M10)	(570)

Rectangular Flange (RF)



Catalog No./ Model	Part Number	FC Model (Ref)	FH in. (mm)	RD in. (mm)	RE in. (mm)	SA in. (mm)	SB in. (mm)	Size in. (mm)	Bolt (mass) in. (mm)	Wt. oz. (g)
RF 1 3/4 - 12	M5E2940053	PMXT 1500 Series	.34	.50	2.38	3.00	2.25	1.63	5/16	9
RF M45 x 1,5	M58637053	PMXT 1500M Series	(8,6)	(12,7)	(60,5)	(76,2)	(57,2)	(41,4)	(M8)	(260)