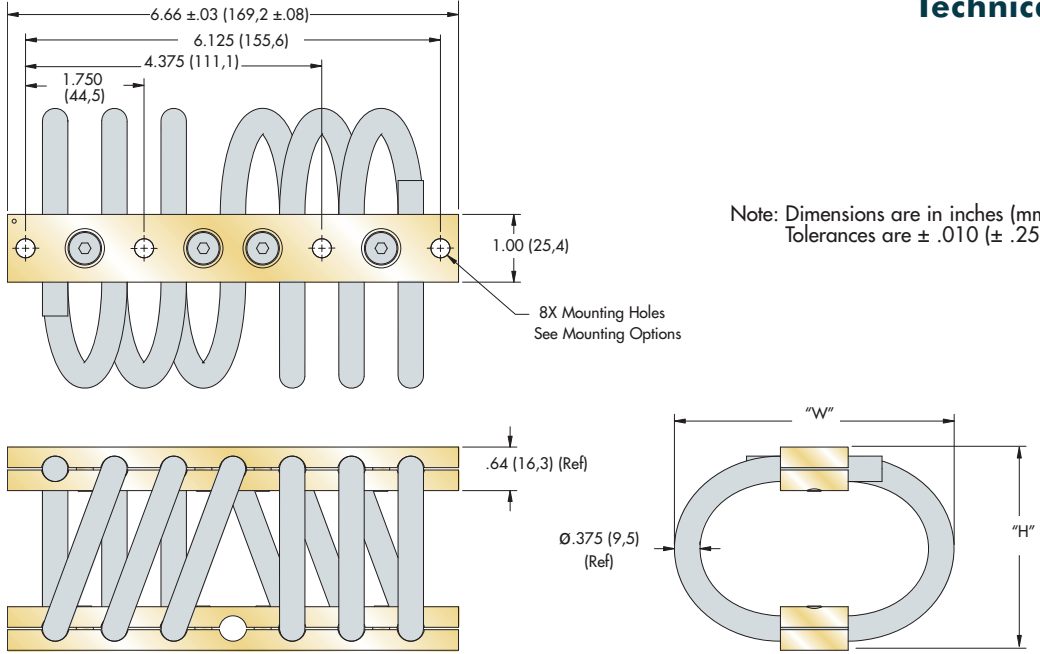


# Wire Rope Isolators

## WR12 Series 6-Loop

### Technical Data



Note: Dimensions are in inches (mm)  
Tolerances are ± .010 (± .25mm)

Size	Height "H" in. (mm)	Width (Ref) "W" in. (mm)	Unit Weight Lbs. (Kg)	Mounting Options	Thru Hole in. (mm)	Thread in. (mm)	C'sink Imperial (Metric)
WR12-206	2.80 (71)	3.31 (84)	1.82 (0,83)	A, B, C, D, E, S	Ø.281 +.005 -.015 (Ø7,4 + 0,13) - 0,38	1/4-28 UNF (M6 X 1,0)	82° (90°)
WR12-306	2.90 (74)	3.50 (89)	1.88 (0,85)				
WR12-406	3.00 (76)	4.13 (105)	1.99 (0,90)				
WR12-506	3.25 (83)	4.25 (108)	2.09 (0,95)				
WR12-606	3.50 (89)	4.25 (108)	2.15 (0,98)				
WR12-706	4.13 (105)	4.75 (121)	2.36 (1,07)				
WR12-806	4.25 (108)	5.50 (140)	2.48 (1,12)				

**Model Number Ordering Code**

**WR12 - 406 - 6 D H M P N R**

Feature Options: \* [ ] - None  
[ R ] - Bellmouth Mount Bars

Wire Rope Options: \* [ ] - 302/304 Stainless Steel (or Equiv.)  
[ G ] - Galvanized Steel  
[ N ] - Nylon Coated Stainless Steel

Mount Bar Options: \* [ ] - 6061-T6 AL ALY (or Equiv.) Chem Conv. Coated  
[ Y ] - 6061-T6 AL ALY (or Equiv.) Anodized  
[ P ] - 302/304 Stainless Steel (or Equiv.) Passivated

Add "M" for Metric For C'sink and Threaded Options

Threaded Hole Options: \* [ ] - Tapped  
[ H ] - Helical Insert, Free Running  
[ L ] - Helical Insert, Self Locking

Mounting Options: See Chart

Number of Loops: 06 (Reduced Number of Loops Available)

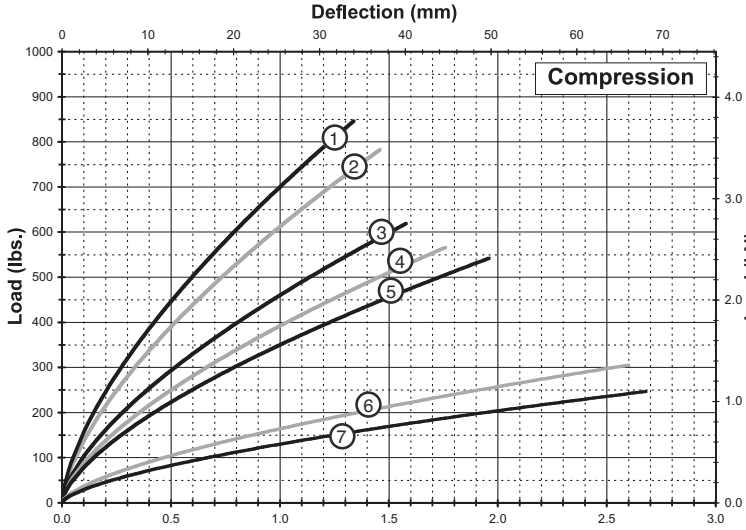
Isolator Size: See Sizing Table

**Mounting Options**

- Maximum recommended torque for threaded bar 100 in.-lbs. (10 Nm)
- Operating Temperature Range: -150°F to 500°F (-100°C to 260°C)

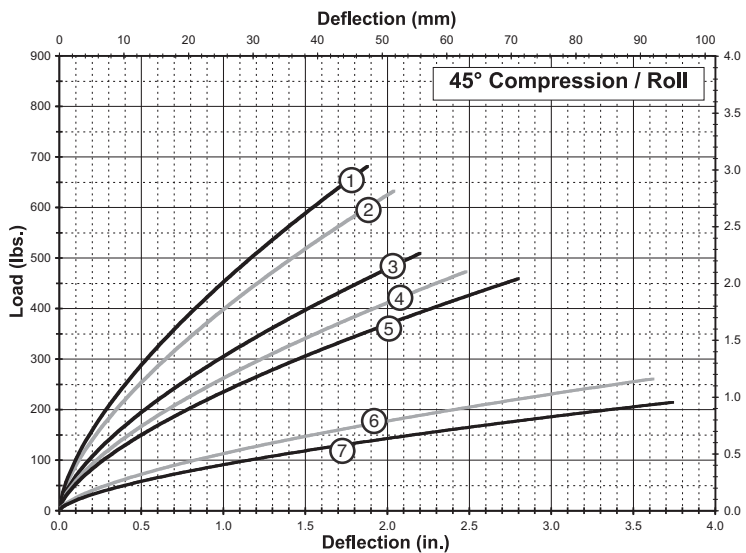
\* Standard features. Any non-standard items may require longer lead times. Call for quotation.

### Static Load vs. Deflection



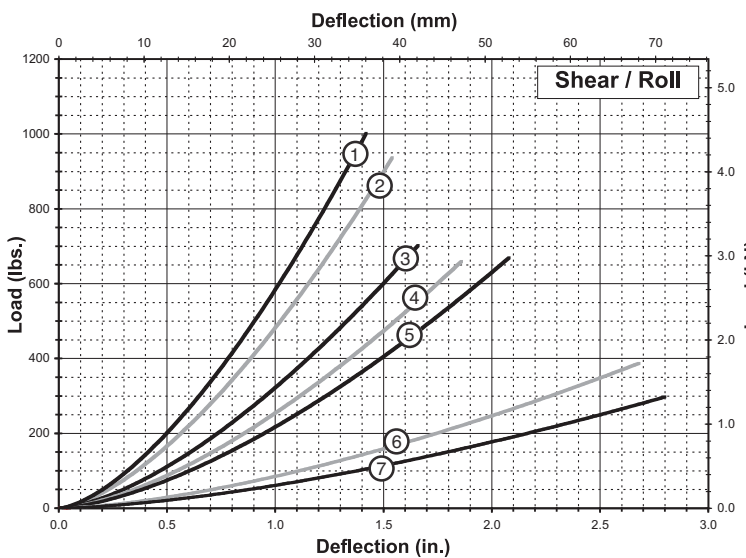
### Compression

Curve	Model	Max Static Load Lbs. (N)	Max Deflection in. (mm)	Kv (vibration) Lbs./in. (kN/m)	Ks (shock) Lbs./in. (kN/m)
1	WR12-206-06	245 (1 090)	1.34 (34,0)	1,570 (275)	770 (135)
2	WR12-306-06	230 (1 023)	1.46 (37,1)	1,370 (240)	650 (114)
3	WR12-406-06	180 (801)	1.58 (40,1)	1,030 (180)	480 (84)
4	WR12-506-06	165 (734)	1.76 (44,7)	880 (154)	390 (68)
5	WR12-606-06	160 (712)	1.96 (49,8)	785 (137)	340 (60)
6	WR12-706-06	89 (396)	2.60 (66,0)	370 (65)	140 (25)
7	WR12-806-06	72 (320)	2.68 (68,1)	290 (51)	110 (19)



### 45° Compression/Roll

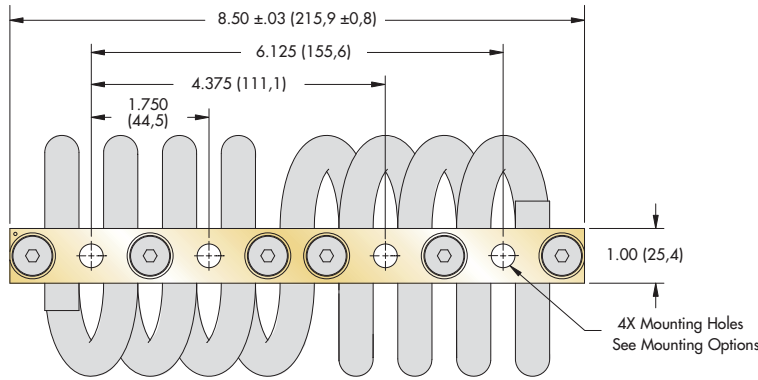
Curve	Model	Max Static Load Lbs. (N)	Max Deflection in. (mm)	Kv (vibration) Lbs./in. (kN/m)	Ks (shock) Lbs./in. (kN/m)
1	WR12-206-06	200 (890)	1.88 (47,8)	1,010 (177)	440 (77)
2	WR12-306-06	185 (823)	2.04 (51,8)	890 (156)	380 (67)
3	WR12-406-06	150 (667)	2.20 (55,9)	685 (120)	280 (49)
4	WR12-506-06	140 (623)	2.48 (63,0)	590 (103)	230 (40)
5	WR12-606-06	135 (601)	2.80 (71,1)	525 (92)	200 (35)
6	WR12-706-06	77 (341)	3.62 (91,9)	250 (44)	90 (16)
7	WR12-806-06	63 (280)	3.74 (95,0)	205 (36)	70 (12)



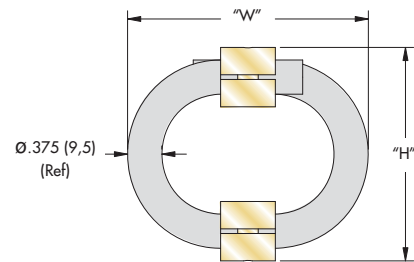
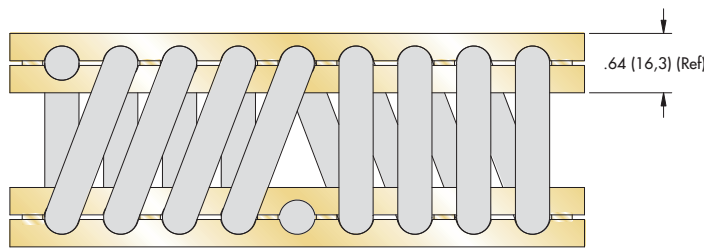
### Shear/Roll

Curve	Model	Max Static Load Lbs. (N)	Max Deflection in. (mm)	Kv (vibration) Lbs./in. (kN/m)	Ks (shock) Lbs./in. (kN/m)
1	WR12-206-06	155 (689)	1.42 (36,1)	560 (98)	560 (98)
2	WR12-306-06	145 (645)	1.54 (39,1)	480 (84)	480 (84)
3	WR12-406-06	110 (489)	1.66 (42,2)	330 (58)	330 (58)
4	WR12-506-06	105 (467)	1.86 (47,2)	280 (49)	280 (49)
5	WR12-606-06	100 (445)	2.08 (52,8)	250 (44)	250 (44)
6	WR12-706-06	45 (200)	2.68 (68,1)	115 (20)	115 (20)
7	WR12-806-06	35 (156)	2.80 (71,1)	85 (15)	85 (15)

Note: Performance provided for full loop models with standard (302/304) stainless steel cable. Consult ENIDINE for other options. Do not extrapolate curves.



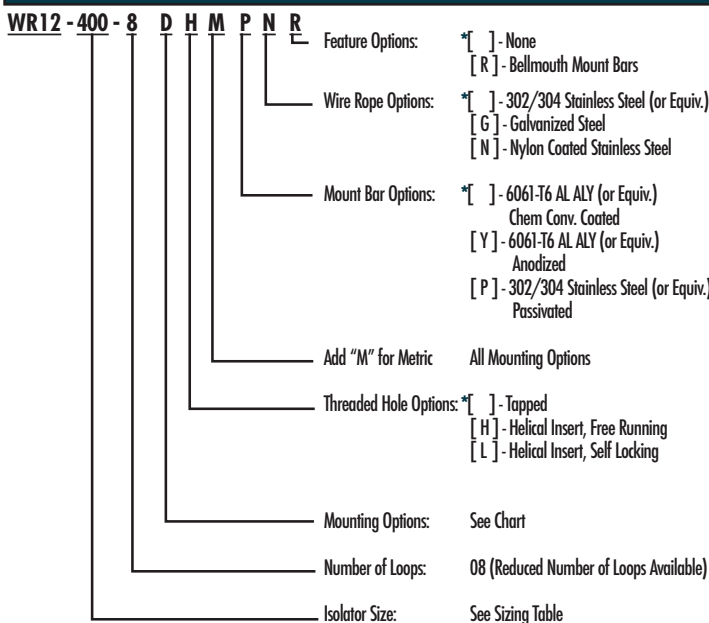
Note: Dimensions are in inches (mm)  
Tolerances are ± .010 (± .25mm)



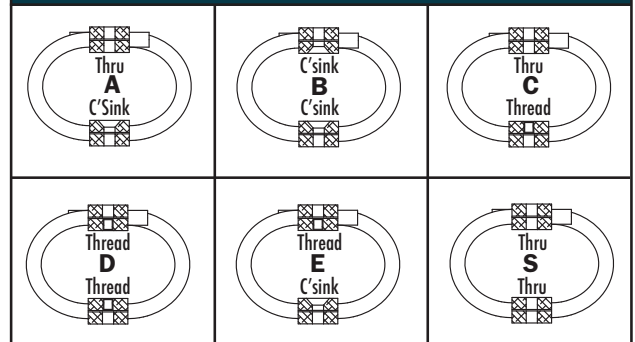
Size	Height "H" in. (mm)	Width (Ref) "W" in. (mm)	Unit Weight Lbs. (Kg)	Mounting Options	Thru Hole in. (mm)	Thread in. (mm)	C'sink Imperial (Metric)
WR12-200	2.80 (71)	3.31 (84)	2.43 (1,10)	A, B, C, D, E, S	Ø.281 <sup>+</sup> .005 -.015 (Ø9,0 <sup>+</sup> 0,13, -0,38)	1/4-28 UNF *(M8 X 1,25)	82° (90°)
WR12-300	2.90 (74)	3.50 (89)	2.50 (1,13)				
WR12-400	3.00 (76)	4.13 (105)	2.65 (1,20)				
WR12-500	3.25 (83)	4.25 (108)	2.78 (1,26)				
WR12-600	3.50 (89)	4.25 (108)	2.87 (1,30)				
WR12-700	4.13 (105)	4.75 (121)	3.15 (1,43)				
WR12-800	4.25 (108)	5.50 (140)	3.31 (1,50)				

\* Tapped M8 x 1.25, Inserts M6 x 1.0

Model Number Ordering Code



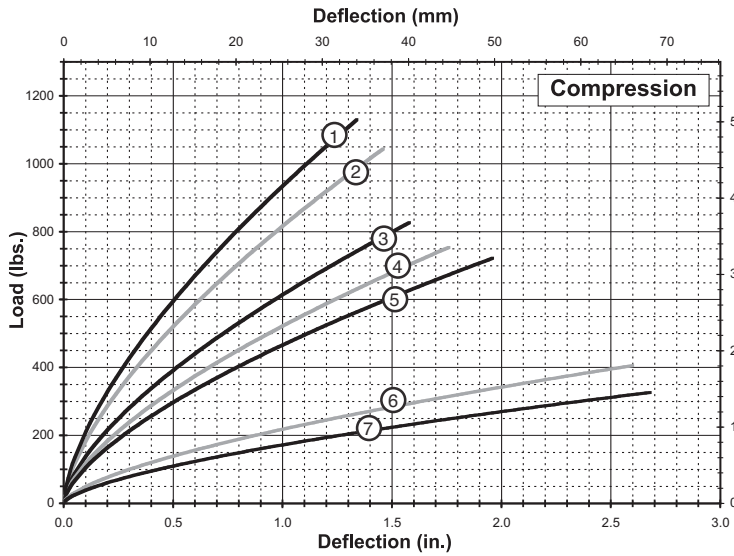
Mounting Options



- Maximum recommended torque for threaded bar is 100 in.-lbs. (20 Nm)
- Operating Temperature Range: -150°F to 500°F (-100°C to 260°C)

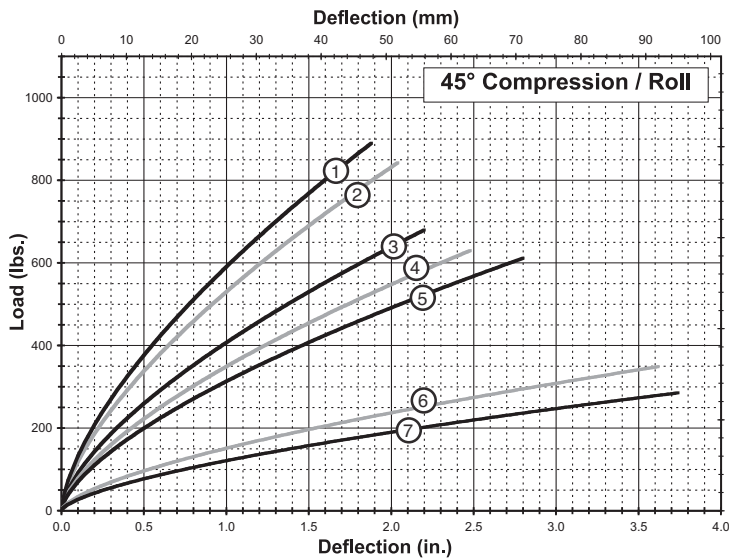
\* Standard features. Any non-standard items may require longer lead times. Call for quotation.

### Static Load vs. Deflection



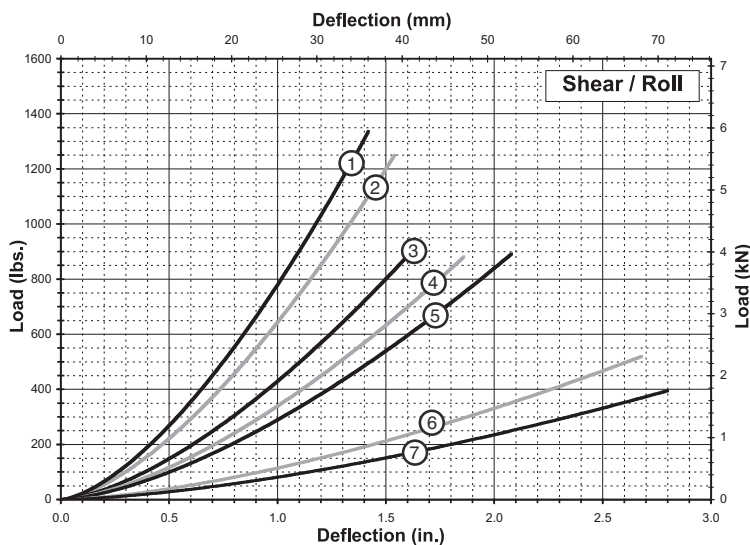
### Compression

Curve	Model	Max Static Load Lbs. (N)	Max Deflection in. (mm)	Kv (vibration) Lbs./in. (kN/m)	Ks (shock) Lbs./in. (kN/m)
1	WR12-200-08	330 (1 468)	1.34 (34,0)	2,090 (366)	1,020 (179)
2	WR12-300-08	305 (1 357)	1.46 (37,1)	1,830 (320)	870 (152)
3	WR12-400-08	240 (1 068)	1.58 (40,1)	1,380 (242)	630 (110)
4	WR12-500-08	220 (979)	1.76 (44,7)	1,170 (205)	520 (91)
5	WR12-600-08	210 (934)	1.96 (49,8)	1,040 (182)	450 (79)
6	WR12-700-08	120 (534)	2.60 (66,0)	490 (86)	190 (33)
7	WR12-800-08	95 (423)	2.68 (68,1)	385 (67)	150 (26)



### 45° Compression/Roll

Curve	Model	Max Static Load Lbs. (N)	Max Deflection in. (mm)	Kv (vibration) Lbs./in. (kN/m)	Ks (shock) Lbs./in. (kN/m)
1	WR12-200-08	265 (1 179)	1.88 (47,8)	1,350 (236)	590 (103)
2	WR12-300-08	245 (1 090)	2.04 (51,8)	1,190 (208)	500 (88)
3	WR12-400-08	200 (890)	2.20 (55,9)	910 (159)	370 (65)
4	WR12-500-08	185 (823)	2.48 (63,0)	780 (137)	310 (54)
5	WR12-600-08	175 (778)	2.80 (71,1)	700 (123)	270 (47)
6	WR12-700-08	105 (467)	3.62 (91,9)	340 (60)	120 (21)
7	WR12-800-08	84 (373)	3.74 (95,0)	270 (47)	90 (16)



### Shear/Roll

Curve	Model	Max Static Load Lbs. (N)	Max Deflection in. (mm)	Kv (vibration) Lbs./in. (kN/m)	Ks (shock) Lbs./in. (kN/m)
1	WR12-200-08	205 (912)	1.42 (36,1)	740 (130)	740 (130)
2	WR12-300-08	195 (867)	1.54 (39,1)	640 (112)	640 (112)
3	WR12-400-08	150 (667)	1.66 (42,2)	440 (77)	440 (77)
4	WR12-500-08	140 (623)	1.86 (47,2)	370 (65)	370 (65)
5	WR12-600-08	135 (601)	2.08 (52,8)	340 (60)	340 (60)
6	WR12-700-08	60 (267)	2.68 (68,1)	155 (27)	155 (27)
7	WR12-800-08	45 (200)	2.80 (71,1)	110 (19)	110 (19)

Note: Performance provided for full loop models with standard (302/304) stainless steel cable. Consult ENIDINE for other options. Do not extrapolate curves.